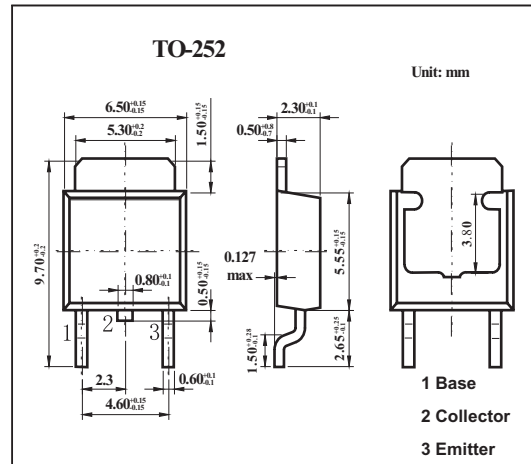


2SD2318

■ Features

- High DC current gain.
- Low saturation voltage.



■ Absolute Maximum Ratings Ta = 25°C

Parameter	Symbol	Rating	Unit
Collector-base voltage	V _{CB0}	80	V
Collector-emitter voltage	V _{CEO}	60	V
Emitter-base voltage	V _{EBO}	6	V
Collector current	I _c	3	A
		4.5	A(Pulse)*
Collector current (pulse) *	I _{CP}	4.5	A
Collector power dissipation T _c = 25°C	P _C	1	W
		15	W
Junction temperature	T _j	150	°C
Storage temperature	T _{stg}	-55 to +150	°C

* Pw=100ms.

■ Electrical Characteristics Ta = 25°C

Parameter	Symbol	Testconditons	Min	Typ	Max	Unit
Collector-base breakdown voltage	BV _{CB0}	I _c =50μA	80			V
Collector-emitter breakdown voltage	BV _{CEO}	I _c =1mA	60			V
Emitter-base breakdown voltage	BV _{EBO}	I _E =50μA	6			V
Collector cutoff current	I _{CB0}	V _{CB} =80V			100	μA
Emitter cutoff current	I _{EBO}	V _{EB} =6V			100	μA
Collector-emitter saturation voltage	V _{CE(sat)}	I _c =2 A, I _B =0.05A			1.0	V
Base-emitter saturation voltage	V _{BE(sat)}	I _c =2 A, I _B =0.05A			1.5	V
DC current transfer ratio	h _{FE}	V _{CE} =4V, I _c =0.5A	560		1800	
Output capacitance	f _T	V _{CE} =5V, I _E = -0.2A, f=10MHz		50		MHz
Transition frequency	C _{ob}	V _{CB} =10V, I _E =0A, f=1MHz		60		pF

■ hFE Classification

Rank	U	V
hFE	560~1200	820~1800